



GERMICIDAL ULTRAVIOLET ROOM AIR SANITIZERS

Model RSCS280A



Installation, Operation & Maintenance

Read and Follow All Safety Instructions. Save These Instructions.



ATLANTIC ULTRAVIOLET
CORPORATION® SINCE 1963

Manufacturers / Engineers / Sales / Service
Germicidal Ultraviolet – Equipment & Lamps

375 Marcus Boulevard, Hauppauge, NY 11788
(631) 273-0500 • Fax: (631) 273-0771
Email: Sales@AtlanticUV.com

Shop Products at
AtlanticUltraviolet.com

Learn More at **Ultraviolet.com**



Owner's Manual

TABLE OF CONTENTS

SAFETY WARNINGS	3
SAFETY INSTRUCTIONS	3
SAFETY LABELING	3
CAUTION	3
PRODUCT APPLICATION	4
CONSTRUCTION	4
PRINCIPLE OF OPERATION	4
LIMITATION OF USE	5
UNPACKING	5
INSTALLATION	5
FIXTURE PLACEMENT	5
OPERATION AND MONITORING CONTROLS	6
MAINTENANCE	6
LAMP INSTALLATION, REPLACEMENT OR CLEANING	7-8
INTAKE FILTER	9
CLEANING OF ELECTROSTATIC FILTER	9
BREAKAGE	9
DISPOSAL OF MERCURY ADDED LAMPS	9
OPTIONAL ACCESSORIES	10
TROUBLESHOOTING	10
TECHNICAL SPECIFICATIONS	11
REPLACEMENT PARTS	11
USER ASSISTANCE	12
PATENT NOTICE	12
WARRANTY & PRODUCT REGISTRATION	12

These instructions generally describe the installation, operation and maintenance of the **SANITAIRE**® Room Air Sanitizer Model RSCS280A. Questions that are not specifically answered by these instructions should be directed to the Factory.

Atlantic Ultraviolet Corporation® takes all possible precautions when packaging equipment to prevent damage. Carefully inspect and report all damages immediately. Do not install damaged equipment.


Follow all instructions on any labels or tags. Carefully inspect all packing materials before discarding to prevent the loss of accessories, mounting hardware, spare parts or instructions.

The information and recommendations contained in this publication are based upon data collected by the Atlantic Ultraviolet Corporation® and are believed to be correct. However, no guarantee or warranty of any kind, expressed or implied, is made with respect to the information contained herein. Specifications and information are subject to change without notice.



SAFETY WARNINGS

- All personnel should be alerted to the potential hazards indicated by the product safety labeling on this unit.
- The following conventions are used to indicate and classify precautions in this manual and on product safety labeling. Failure to observe precautions could result in injury to people or damage to property.

 This is the safety alert symbol. It is used to alert you to potential personal injury hazards. Obey all safety messages that follow this symbol to avoid possible injury or death.

DANGER Danger indicates an **IMMINENTLY** hazardous situation, which, if not avoided, **WILL** result in death or serious injury.


WARNING Warning indicates a **POTENTIALLY** hazardous situation, which, if not avoided, **COULD** result in death or serious injury.

CAUTION Caution indicates a **POTENTIALLY** hazardous situation, which, if not avoided, **MAY** result in minor or moderate injury.

CAUTION Caution used without the safety alert symbol indicates a potentially hazardous situation, which, if not avoided, may result in property damage.


 This symbol/pictorial is used to identify an **ELECTRICAL SHOCK** or **ELECTROCUTION** hazard.

 This symbol/pictorial is used to identify an **ULTRAVIOLET LIGHT** hazard.

 This symbol/pictorial is used to identify the need to wear approved ultraviolet blocking eye wear.

 This symbol/pictorial is used to identify the need to wear approved ultraviolet blocking face shield.




 This symbol/pictorial is used to identify the need to wear protective gloves.



 This symbol/pictorial is used to identify components which must not be disposed of in trash.

SAFETY INSTRUCTIONS

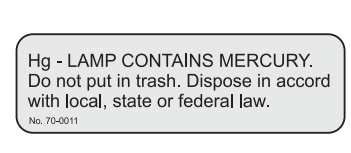
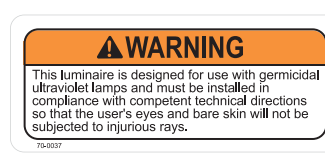
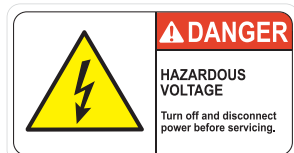
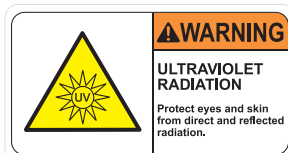
WARNING To guard against injury, basic safety precautions should be observed, including the following:

1. Read and follow ALL safety instructions.

   **WARNING** Avoid exposure to direct or reflected germicidal ultraviolet rays. Germicidal ultraviolet rays are harmful to the eyes and skin.

2. Intended for indoor use only.
3. Do not alter design or construction.
4. Do not use this fixture for other than its intended purpose, as described in this manual.
5. **CAUTION** Do not override safety interlock.
6. Do not mount under any source of moisture or condensation, such as humidifiers, cooling coils, etc.
7. Do not remove any labels or devices.
8.  **WARNING** Do not operate without proper electrical ground.
9. Do not operate the fixture if there is visible or suspected damage to the fixture or, if applicable, there is damage to power cord and/or plug.
10. Keep inlet and outlet, of the blowers, clean and clear of debris.
11. **CAUTION** Do not operate without the access door securely closed on the unit.
12. Stay clear of blowers, or other moving parts that can cause injuries.
13. Utility power supplied, to the fixture, **MUST** match power requirements listed on the unit label.
14.  **WARNING** Always disconnect power to the unit before performing any service or maintenance.
15. Read and follow all notices and warnings on the fixture.
16. **SAVE THESE INSTRUCTIONS.**

SAFETY LABELS



Warning: Ultraviolet Radiation (70-0052) Danger: Hazardous Voltage (70-0053) Warning Germicidal UV (70-0037) Hg - Lamp Contains Mercury (70-0011)

CAUTION

It is the user's responsibility to determine and validate the suitability of this equipment for use in the user's system or process. No warranty or representation is made by the manufacturer with respect to suitability or performance of this equipment or to the results that may be expected from its use. The user should periodically inspect, clean as necessary and confirm the presence and good legibility of the product safety labels. Contact the factory for replacement labels in the event that any of the labels are missing or illegible.

PRODUCT APPLICATION

CONSTRUCTION

The **SANITAIRE**[®] Room Air Sanitizer Model RSCS280A consists of:

- **STER-L-RAY**[®] Germicidal Ultraviolet Lamps deliver ultraviolet energy at the specific wavelength of 254 nanometers (nm). This wavelength is highly effective against microbes including: virus, bacteria, and mold spores.

⚠ CAUTION Germicidal ultraviolet rays are harmful to eyes and skin; avoid exposure of direct or reflected germicidal ultraviolet rays without approved ultraviolet blocking face shield and protective covering (such as gloves, long sleeves with no gaps between cuffs and gloves).

- A **Surelite**[™] Electronic Ballast capable of operating at 120v 50/60 Hz. Other power supplies may be available. Contact factory for specifics.
- A polished reflector, whose design and specular aluminum construction maximizes ultraviolet intensity within the exposure chamber.
- Power Cord - For 120v AC 50/60Hz single-phase standard household current, a NEMA 5-15, three-prong plug is provided for a properly grounded outlet. (Consult factory for other plug types)
- **Promate**[™] Promate permanent, washable, electrostatic intake filter is electrostatically charged to trap up to 94% of dust and allergens that pass through the filter. Filters are made with a heavy duty aluminum frame and a special weaved filter for years of filtration.
- A louvered exhaust, which restricts ultraviolet radiation from passing into the room, protecting the room's occupants from ultraviolet exposure.
- Indicator LED's work in pairs to provide a visual indication if a lamp has failed.
- All electronics and wiring are housed in an enclosure constructed of stainless steel. Stainless steel construction provides strength, durability, and will withstand most harsh environments.
- An interlock safety switch. The interlock switch interrupts power to the sanitizer, when the access door is opened from the lamp/exposure chamber.

PRINCIPLE OF OPERATION

The **SANITAIRE**[®] Room Air Sanitizer is categorized as a germicidal ultraviolet fixture that utilizes germicidal ultraviolet lamps that are completely enclosed within an exposure chamber and is safe for use in a clean, dry environment. The **SANITAIRE**[®] effectively destroys airborne microbes including: bacteria, mold and virus in enclosed spaces.

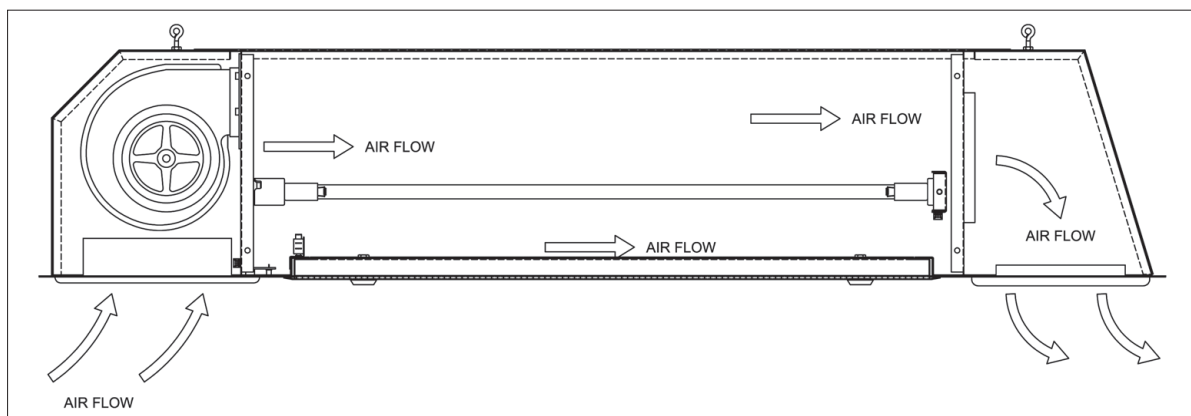
The **SANITAIRE**[®] design has been carefully conceived to provide germicidal ultraviolet exposure for air disinfection. The dosage, as it applies to ultraviolet disinfection, is a function of time, and the intensity, of ultraviolet radiation, to which the air is exposed. The exposure time, in seconds, is the total time it takes the air to move through the ultraviolet field, produced by the germicidal lamps.

All components are mounted in a stainless steel frame. Access to the lamp/exposure chamber is gained through the interlocked, access door. Fixture operation can be monitored from the base panel.

The operation of the **SANITAIRE**[®] Room Air Sanitizer Model RSCS280A is as follows:

1. Air is drawn into the fixture through the louvered filter panel.
2. The air is forced into the exposure chamber, where it is irradiated by the germicidal ultraviolet lamps.
3. LED indicator lights provide positive indication of operation of germicidal ultraviolet lamps.
4. The purified air exits the fixture, through the louvered exhaust panel, located at the opposite end of the fixture.

Figure 1 – SANITAIRE[®] Room Air Sanitizer Model RSCS280A Operation



LIMITATION OF USE

⚠ CAUTION Overexposure to germicidal ultraviolet rays will result in the irritation of the eyes and reddening of the skin. For that reason, it is of the utmost importance that your ultraviolet application be carefully planned and implemented so as to avoid exposure, of personnel, to direct or reflected ultraviolet rays.

The American Conference of Governmental Industrial Hygienists (ACGIH) has established that the ultraviolet radiant exposure incident for unprotected eyes or skin should not exceed 0.2 microwatts per square centimeter ($\mu\text{W}/\text{cm}^2$) at 254 nanometers (nm) for an eight (8) hour period. (“2004 TLVs® and BEIs®”)

UNPACKING



IN ORDER TO PERFORM THIS TASK, BE SURE TO WEAR THE FOLLOWING SAFETY EQUIPMENT: SAFETY GLASSES OR A FACE SHIELD, AS WELL AS GLOVES.

- Remove the **SANITAIRE**® Room Air Sanitizer Model RSCS280A from its shipping carton.
- Atlantic Ultraviolet Corporation® takes all possible precautions when packaging this fixture to prevent damage. Carefully inspect the sanitizer, power cord, if applicable, for damage. Report all damage immediately.
- Do not assemble or operate if there is any damage, visible or suspected.
- **STER-L-RAY**® Germicidal Ultraviolet Lamps are packed separately, to ensure maximum protection for the lamps. Keep the lamps aside until ready for installation.
- Carefully inspect all packing materials to prevent the loss of accessories, mounting hardware, spare parts or instructions.
- Do not discard packing materials until fixture is assembled and check out is complete.

The **SANITAIRE**® Model RSCS280A Room Air Sanitizer includes:

- 1 - Model RSCS280A – 120v 50/60Hz
- 1 - Box of (4) High Output **STER-L-RAY**® Germicidal Ultraviolet Lamps (may be packed within the unit)

INSTALLATION

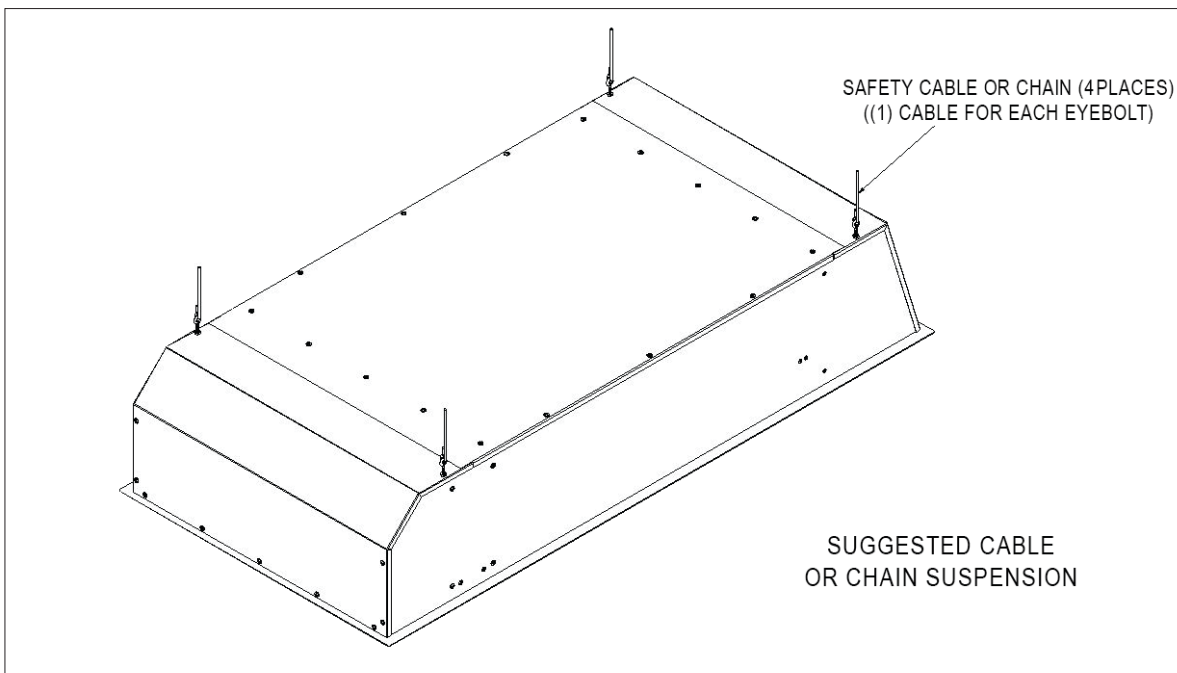
FIXTURE PLACEMENT

The **SANITAIRE**® Model RSCS280A fixture is recommended for use in rooms with suspended “T-Bar” ceilings. Access to the room does not need to be controlled while the fixture is operating. The exposure chamber, of the **SANITAIRE**® fixture, protects the room’s occupants from ultraviolet exposure by restricting ultraviolet radiation from passing into the room.

To ensure safe and proper use (see **Figure 2**):

- The **SANITAIRE**® Model RSCS280A Room Air Sanitizer **MUST** be installed by qualified professionals so that local and national building and electrical codes are fully complied with.
⚠ WARNING Failure to adequately support this equipment could result in serious injury or even death.
- The **SANITAIRE**® Model RSCS280A has 4 suspension points. The suspension method chosen should be structurally adequate to support the weight of the unit independently from any one of these suspension points (unit weight can be found in the equipment specification).
- Using an individual cable or chain for each of the (4) suspension locations are the best method to ensure the unit is adequately secured in place. Never use a single cable or chain to hold fixture by the (4) suspension locations.
- Never attempt to support or suspend this unit on the ceiling tile track system.
- Remember it is the equipment user’s responsibility to ensure an adequate and safe installation of this equipment and the safety of room occupants.
- It is recommended that the **SANITAIRE**® Model RSCS280A be wired to a wall switch to control on and off operation.

Figure 2



OPERATION AND MONITORING CONTROLS

The **SANITAIRE**® is designed to operate with minimal operator supervision. Fixture operation is monitored from the Base Panel.

Lamp Operation Indicators: Provide positive indication, when lit, of each germicidal lamp operation. Lamp Operation LEDs, which are not lit, indicate faulty germicidal lamps or ballasts. Lamp Operation LED position, in the LED array, is relative to the germicidal lamp position in the exposure chamber, aiding in the location of the faulty lamp(s) or ballast(s).

MAINTENANCE

⚠ WARNING Always disconnect power to the fixture before performing any service or maintenance.

- The **SANITAIRE**® Model RSCS280A is designed to operate with a minimal amount of maintenance.
- A regular cleaning cycle of the germicidal lamps, interior, and intake filter **MUST** be established, and carefully maintained, based on inspection and experience. The frequency of cleaning will vary with the conditions surrounding each installation. It is recommended that the ultraviolet lamps be cleaned at least once every three (3) months.
- The **STER-L-RAY**® Germicidal Ultraviolet Lamps used in the **SANITAIRE**® have a manufacturer's rated average effective life of 13,000 hours. Lamps may operate longer than their rated effective life, but the reduction in ultraviolet output will make it impractical to use past the manufacturer's rated life. For maximum efficiency lamp replacement is recommended every 13,000 hours of operation or about one (1) year of continuous use.
- Unless lamp replacement is due to failure or breakage, it is recommended that all lamps be replaced at the same time.
- The **SANITAIRE**® Model RSCS280A is equipped with a safety interlock switch, which will shut down the germicidal lamps when the Access Door is opened.

⚠ CAUTION Do not override the safety interlock switch. Operation of the fixture with the interlock switch overridden and the Access Door open will expose personnel to direct or strongly reflected germicidal ultraviolet rays. Germicidal ultraviolet rays are harmful to the eyes and skin.

LAMP INSTALLATION, REPLACEMENT OR CLEANING



IN ORDER TO PERFORM THIS TASK, BE SURE TO WEAR THE FOLLOWING SAFETY EQUIPMENT: SAFETY GLASSES OR A FACE SHIELD, AS WELL AS GLOVES.

⚠ WARNING Always disconnect power to the fixture before performing any service or maintenance.

⚠ CAUTION Ultraviolet lamp(s) are easily damaged and may cause injury if broken. Exercise care when handling.

1. Disconnect power to the fixture.
2. Open access door, by unlocking the two (2) latches.

⚠ CAUTION Opening of the **SANITAIRE®** access cover will cause the interlock switch to interrupt power to the lamps and blower. Do not attempt to bypass or circumvent the interlock switch or its safety feature.

3. Starting from the front, remove each **STER-L-RAY®** lamp by holding the lamp by the base and carefully pull the lamp away from the connector, while removing pressure off the **STER-L-RAY®** lamp from the end supports. (See **Figure 3**)
4. Once the lamp is clear from the connector, carefully lift **STER-L-RAY®** lamp away from the far end support, and remove **STER-L-RAY®** lamp from the unit. (See **Figure 4**)
5. Repeat until all **STER-L-RAY®** lamps have been removed from the unit.

Figure 3

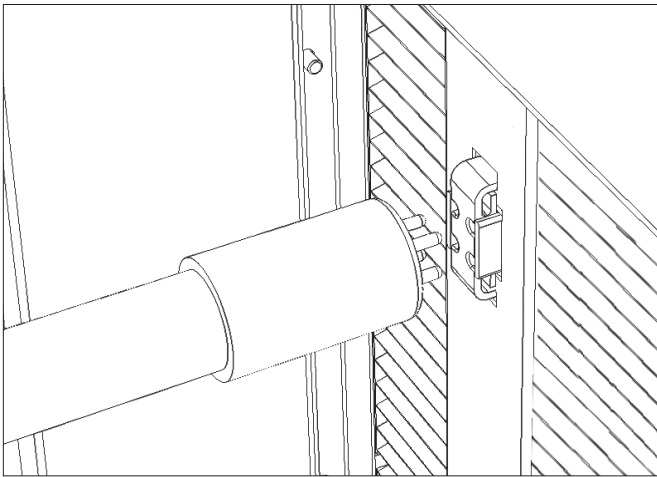
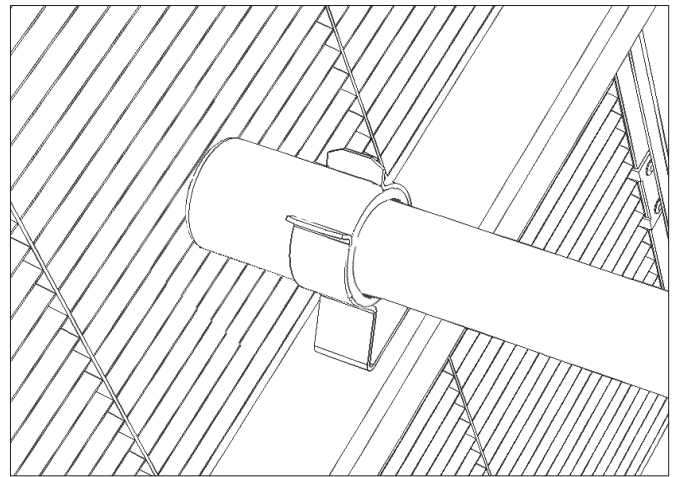


Figure 4



6. Moisten a clean, lint-free cloth with denatured alcohol and clean **STER-L-RAY®** lamps.
7. When **STER-L-RAY®** lamps have been removed, cleaned, and safely set aside, remove any loose dust or dirt from the interior of the fixture with a soft dry cloth, or vacuum.
8. To remove any dust, dirt, fingerprints, smears, etc, from the outer surfaces of the **SANITAIRE®** Room Air Sanitizer, moisten a clean, lint-free cloth with denatured alcohol and wipe down the unit. Buff out any streaks left from the cleaning, using a soft dry cloth.

9. When installing the new lamps, carefully examine the pin configuration on the lamps base to ensure that the lamp is installed correctly into the lamp connector (See **Figure 5**, which shows the lamp connector and **Figure 6**, which shows the lamp base, below).

Figure 5

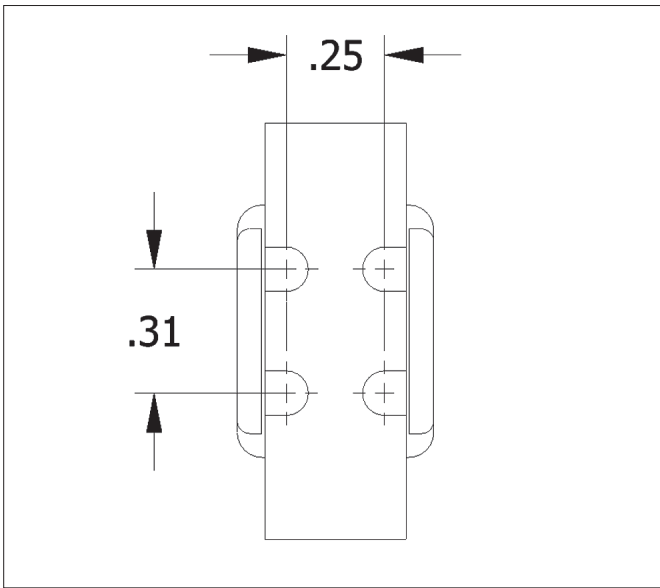
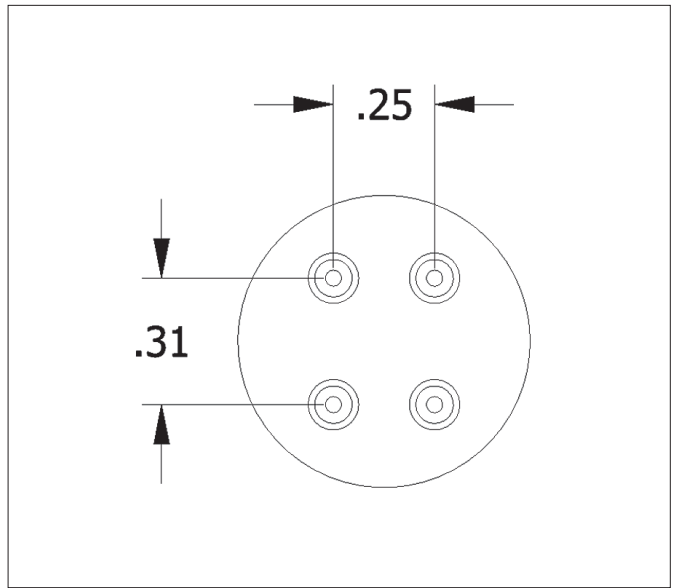


Figure 6



10. Begin installing the **STER-L-RAY**® lamps from one side and continue to the next until all **STER-L-RAY**® lamps have been installed.
11. Hold the **STER-L-RAY**® lamp by the base and carefully push the **STER-L-RAY**® lamp into the connector. (See **Figure 7**)
12. Once the **STER-L-RAY**® lamp is securely seated into the connector, carefully push the **STER-L-RAY**® lamp into the end support. (See **Figure 8**)
13. Repeat until all **STER-L-RAY**® lamps have been installed into the unit.



▲WARNING Avoid exposure to direct or reflected germicidal ultraviolet rays. Germicidal ultraviolet rays are harmful to the eyes and skin.

Figure 7

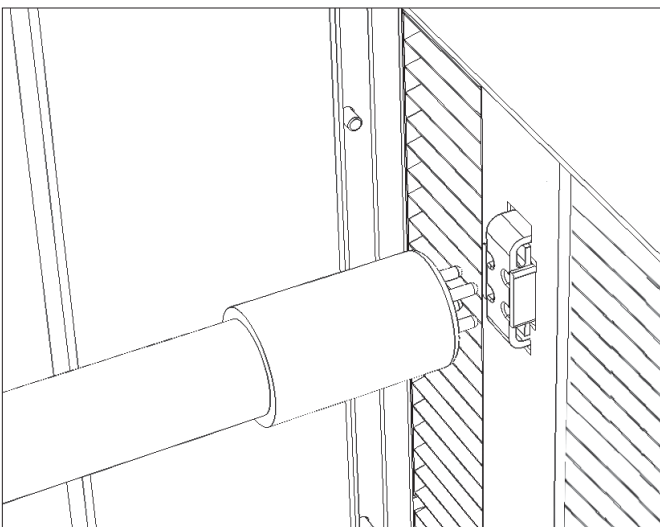
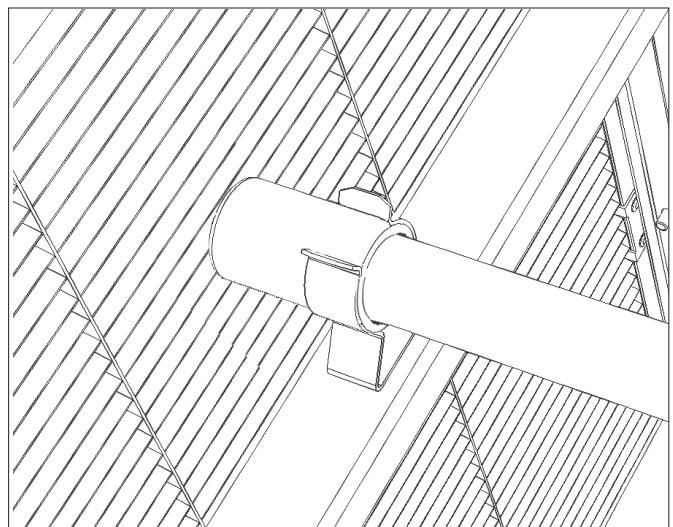


Figure 8



14. Close and lock access door.
15. Restore power to the fixture.
16. Verify operation by viewing Lamp Operation Indicators (LEDs). If the sanitizer is not operating properly, go to **“Troubleshooting”** section.

INTAKE FILTER

- The **SANITAIRE**® Room Air Sanitizer Model RSCS280A is fitted with a, washable, electrostatic air filter. **DO NOT** apply oil, or adhesive sprays to the filter.
- In most applications, regular vacuuming will maintain peak performance of **Promate**™ Electrostatic Filter; periodically flushing electrostatic filter with clean water is recommended whenever vacuuming fails to restore a clean appearance.
- The **Promate**™ Electrostatic Filter may be cleaned repeatedly without loss of efficiency. The frequency of cleaning will vary with the conditions surrounding each installation.

CLEANING OF ELECTROSTATIC FILTER



IN ORDER TO PERFORM THIS TASK, BE SURE TO WEAR THE FOLLOWING SAFETY EQUIPMENT: SAFETY GLASSES OR A FACE SHIELD, AS WELL AS GLOVES.



WARNING Always disconnect power to the fixture before performing any service or maintenance.

1. Disconnect power to the fixture.
2. Unlatch and open access cover.
3. Remove **Promate**™ filter from the housing.
4. Vacuum the upstream side first, and repeat on the discharge side. (Skip to step 7 unless washing filter.)

CAUTION Do not use a high velocity water stream to clean the filter. A high velocity stream may destroy the filter's internal fibers.

5. To wash **Promate**™ filter, flush thoroughly with clean water, either by immersing or with a fine spray in the direction opposite to the airflow. If the filter is contaminated with heavy grease concentrations, wash filter with a detergent solution. **NOTE:** Follow all manufacturer's instructions and precautions for handling detergents. The filter should be rinsed thoroughly with clean water.
6. Shake off any excess water from **Promate**™ filter and let dry.
7. Replace **Promate**™ filter into the housing, with airflow direction label pointing into the electrical enclosure.
8. Close and re-latch access louver.
9. Restore power to the fixture.
10. Verify operation by viewing Lamp Operation Indicators (LEDs). If the sanitizer is not operating properly, go to "Troubleshooting" section.

BREAKAGE

CAUTION Broken Quartz is **SHARP**.



Wear protective gloves when handling broken ultraviolet lamp(s). In the event of breakage, **DO NOT** use a household vacuum cleaner to pick up quartz fragments. Sweep up debris into a plastic bag and dispose of properly.

DISPOSAL OF MERCURY ADDED LAMPS




Germicidal ultraviolet lamps, like standard fluorescent lamps contain small amounts of mercury. Mercury added lamps should not be placed in the trash. Dispose of properly. For further information regarding the disposal and recycling of lamps containing mercury, along with Federal and State requirements visit LampRecycle.org. For more information on **STER-L-RAY**® germicidal ultraviolet lamps, visit AtlanticUltraviolet.com or Ultraviolet.com.

OPTIONAL ACCESSORIES

1. **ArmorLite™ Lamp Safety Shield:** A protective coating applied to **STER-L-RAY®** Germicidal Ultraviolet Lamps, ensuring protection by eliminating the dangers associated with fragments of broken glass and mercury contamination.
2. **Zenith™ UV-C Detector (30-1015):** A sensitive, hand-held, self-contained battery operated germicidal ultraviolet meter that can be used for:
 - Monitoring UV-C Germicidal Lamp Intensity & Aging
 - Measuring UV-C Germicidal Fixture Leakage.
3. **Promate™ Safety Glasses (00-1299):** Safety eyewear **MUST** be used as general-purpose safety protection and for additional shielding from ultraviolet rays.
4. **Promate™ Face Shield (00-0126):** Lightweight visor with adjustable headgear provides eye and face protection from germicidal ultraviolet rays.
5. **SENTINEL® Lamp Operation Indicator (35-4502A4):** Monitors individual lamp operation, in any location up to 100 feet from the **SANITAIRE®** Room Air Sanitizer. Cables are also available in 25, 50, and 100 foot lengths.

For more information and purchasing, contact our offices weekdays between 8:30 am and 5:00 pm Eastern time at: Atlantic Ultraviolet Corporation®, 375 Marcus Boulevard, Hauppauge, New York, 11788 • Tel: (631) 273-0500 • Fax: (631) 273-0771
 Email: Sales@AtlanticUV.com • Shop: AtlanticUltraviolet.com • Learn More: Ultraviolet.com

TROUBLESHOOTING

 **WARNING** Always disconnect power to the unit before performing any service or maintenance.



CAUTION Use personal protection equipment, such long sleeves with no gaps between cuffs and gloves, and ultraviolet resistant face shield, if troubleshooting **SANITAIRE®**.

IMPORTANT: This unit is to be serviced **ONLY** by qualified, and appropriately trained and/or licensed personnel.

Table 1 – Troubleshooting

Problem	Possible Cause	Corrective Action
Unit not operating.	No electrical power.	Verify that the unit is connected to a live power source.
	Power connection to fixture is loose or disconnected.	Verify power connection to fixture is fully engaged.
Internal blower(s) not functioning.	Loose power connection.	Confirm connection to blower; connections are tight and make full contact.
	Faulty blower motor.	Replace blower motor.
Two STER-L-RAY® germicidal lamps not operating	Surelite™ Ballast not functioning.	Swap both lamps, with known good lamps. If good lamps still do not operate, locate corresponding ballast and replace.
	STER-L-RAY® Germicidal lamp not operating.	Swap both lamps, with known good lamps.
	STER-L-RAY® Germicidal lamp not properly seated.	Confirm lamps are installed correctly and are seated making full contact with lamp socket.
All STER-L-RAY® germicidal lamps not operating.	STER-L-RAY® Lamps not installed.	Install lamps.
	Interlock switch open.	Confirm access door is closed and latched.
	Interlock switch faulty.	Replace interlock switch.

If the above measures fail to correct the problem(s), contact our Application Specialists. Contact options can be found in the “User Assistance” section of this manual, located on the back page.

TECHNICAL SPECIFICATIONS

Table 2 – Technical Specifications

Blower Capacity: (Cubic Feet per Minute)		280 CFM
Nominal Fixture Capacity ①: (Cubic Feet per Minute)		210 CFM
Max Treatment Capacity: (Cubic Feet per Hour)		12,600 ft ³ /hr
Max Room Size @ 3 Air Changes/Hour: (Cubic Feet)		4,200 ft ³
Max Room Size @ 4 Air Changes/Hour: (Cubic Feet)		3,150 ft ³
Max Room Size @ 5 Air Changes/Hour: (Cubic Feet)		2,520 ft ³
Max Room Size @ 6 Air Changes/Hour: (Cubic Feet)		2,100 ft ³
Dimensions	Length: (Inches)	46-5/8”
	Width: (Inches)	22-1/8”
	Height: (Inches)	9-7/16”
Electrical	Voltage: (v)	120v
	Amperage: (A)	4.2A
Lamp Data	Power Consumption②: Watts per Lamp	65W
	Power Consumption②: Watts for 4 Lamps	260W
	Ultraviolet Output③: Watts per Lamp	22W
	Ultraviolet Output③: Watts for 4 Lamps	88W
Weight	Pounds: (lbs.)	64 lbs.

- ① Fixture capacity incorporates an estimated allowance for airflow friction loss across filter and fixture.
- ② Wattage is lamp watts only and does not include ballast loss.
- ③ Ultraviolet output at 254nm at 100 hours and 80 °F (approximate).

All specifications, dimensional data, etc. are approximate and subject to change without notice.

REPLACEMENT PARTS

Table 3 – Replacement Parts

Description	QTY.	Part No.
STER-L-RAY ® Germicidal Ultraviolet Lamp	4	05-0497
Surelite ™ Electronic Ballast, 50/60Hz	2	10-0138
Lamp Socket and Plate Assembly	2	40-0740A
Interlock Switch, SPDT	1	35-0008A
Promate ™ Air Filter, Electrostatic, Washable	1	40-0062A
Promate ™ Air Filter, Disposable	1	40-1850
Promate ™ Blower, 140CFM, 120v 60Hz	2	40-1079B
Eyebolt, 8-32 x 1” Long with Hex Nut	4	50-0157
Lead Cord, 120v	1	35-1100-R

Other replacement parts are available. Consult the Factory for specific requirements.

USER ASSISTANCE

Atlantic Ultraviolet Corporation® makes every effort to ensure that the **SANITAIRE®** Model RSCS280A is a product of superior quality and workmanship. This manual describes the installation, operation and maintenance of the **SANITAIRE®** Model RSCS280A.

Please read and become familiar with the contents of this manual before installing or using this unit. If after reading the manual you still have questions, or concerns, regarding the installation or use of this unit, contact our offices, weekdays between 8:30 am and 5:00 pm Eastern Time, at:

Atlantic Ultraviolet Corporation®
375 Marcus Boulevard
Hauppauge, New York, 11788
Tel: (631) 273-0500
Fax: (631) 273-0771
Email: Sales@AtlanticUV.com
Shop: AtlanticUltraviolet.com
Learn More: Ultraviolet.com

PATENT NOTICE

No attempt has been made to determine the patent status of applications illustrated or described in this publication. Inclusion in this publication of any design or method of use, which may be patented, is not to be construed as promoting or sanctioning unauthorized use.

WARRANTY & PRODUCT REGISTRATION

We warrant this product to the original owner to be free from defects in material and workmanship when installed in accordance with Atlantic Ultraviolet Corporation® specifications for a period of time as follows:

UV Water Purifier Chambers – Type 316 stainless steel chambers will have a Twelve (12) year Limited Warranty on the stainless steel chamber, from the date of original purchase while the Type 304 stainless steel chambers will have a Six (6) year Limited Warranty on the stainless steel chamber.

UV Air Disinfection Housing – Three (3) year Limited Warranty on the metal housing, from the date of original purchase.

Ballasts – Three (3) year Limited Warranty, from the date of original purchase.

UV Lamps, Monitoring Devices, Optional Accessories, and Other Parts – One (1) year Limited Warranty from the date of original purchase.

Within the warranty period we shall repair or replace such products, which are returned to us with shipping charges prepaid and which are determined by us to be defective. This warranty will not apply to any product, which has been subjected to misuse, negligence or accident; or misapplied; or modified; or repaired by unauthorized person; or improperly installed. Warranty will be null and void if any of the product's original labels are removed. This Limited warranty excludes the cost of labor.

The Buyer shall inspect the product promptly after receipt and shall notify us at our main office in writing of claims, including claims of breach of warranty, within thirty (30) days after the Buyer discovers or should have discovered the facts upon which the claim is based. Failure of the Buyer to give written notice of a claim within the time period shall be deemed to be a waiver of such claim.

The provisions of the above warranty are our sole obligation and exclude all other remedies or warranties, expressed or implied, including warranties of merchantability and fitness for a particular purpose, whether or not purposes or specifications are described herein. We further disclaim any responsibility whatsoever to the customer, or to any person for injury to person, damage to, or loss of property or value caused by any product which has been subjected to misuse, negligence, accident; or modified or repaired by unauthorized persons; or improperly installed.

Under no circumstances shall the Company be liable for any incidental, consequential or special damages; losses or expenses arising from the contract for this product, or in connection with the use of, or inability to use, our product for any purpose whatsoever.

Be sure to register your product and validate purchase within 30 days –registration is simple and will take less than 2 minutes to do.

NOTE – failure to register your purchase may jeopardize warranty.

Go to AtlanticUltraviolet.com and scroll down to the bottom of the page, under “Trust” click the “Warranty Registration Form”, complete and click “Submit”. Or click on “Warranty Registration PDF” to download the warranty registration card as a PDF, complete and mail to us at 375 Marcus Boulevard, Hauppauge, NY 11788, or simply fax to (631) 273-0771. If you prefer to register by phone, please call (631) 273-0500 and our customer service staff will be glad to assist you.

For your convenience, record the following information below. The model and serial number can be found on a label located on the **SANITAIRE®** Model RSCS280A. Keep this manual, along with proof of purchase, handy when contacting our offices.

Purchased From:	Date:
Model:	Serial No.: