

**Specifications**

**Model Number:** 10-0091  
**Input Voltage:** 120v AC  
**Frequency:** 50/60 Hz.  
**Lamp Types:** See Chart On Next Page  
**Certifications:** UL #E191525  
**Size:** 8.5" x 1.72" x 1.0"  
**Weight:** 14 oz.  
**Mounting:** Slotted Mounting Tabs



1. Ground case in accordance with the National Electric Code.
2. Remote mounting distance varies with lamp type, consult factory with requirements.
3. Cap and insulate any unused RED wire individually.
4. When connecting two, three, or four RED wires, they must be joined to make one wire before connecting to the lampholder.
5. For miniature bipin lamps as well as medium bipin lamps, add jumper between socket contacts, of the lampholder, before connecting the RED and YELLOW wires. (See over)



|  |   |  |   |
|--|---|--|---|
| <p><b>10-0091</b><br/><b>120V 50/60 HZ</b></p>   | <p><b>ATLANTIC ULTRAVIOLET CORPORATION</b><br/>375 Marcus Boulevard • Hauppauge, NY 11788<br/>(631) 273-0500 • Fax: (631) 273-0771<br/>Sales@AtlanticUV.com • Ultraviolet.com<br/>BuyUltraviolet.com</p>            | <p><b>INPUT:</b> 120VAC, 50/60Hz<br/> <b>MAXIMUM CURRENT:</b> 1.15A<br/> <b>RFI, EMI:</b> FCC Part 18A<br/> <b>SOUND RATING:</b> A<br/> <b>CLASS:</b> P<br/> <b>TYPE:</b> 1 or 2 Outdoor</p>   | <p><b>Surelite™</b><br/><b>ELECTRONIC BALLAST</b></p> |
|  | <p><b>MAX. VOLTAGE OUTPUT:</b> 510VAC<br/> <b>CIRCUIT OR TO GROUND:</b> 510VAC<br/> <b>INSTANT START:</b> Minus 20°F<br/> <b>MIN. BALLAST START:</b> See Lamp Specs<br/> <b>MIN. LAMP START:</b> See Lamp Specs</p> | <p>When this ballast is used outside of Canada or if only used in the United States, this ballast is approved for additional lamp types :<br/> <b>T5-CR, LINEAR T5 &amp; T5HO</b><br/> <b>T5-CR, LINEAR T5 &amp; T5HO</b><br/> <b>High Power Factor</b></p>  |   |
| <p><b>WARNING:</b> Install in accordance with the national and local electrical code. Disconnect power before servicing. Ballast must be grounded.</p> |   | <p><b>ATTENTION:</b> L'installation doit être conforme aux normes du code national électrique. Débranchez l'alimentation avant l'entretien. Le ballast doit être mis à la terre.</p>   |   |
| <p><b>DANGER High Voltage!</b> Inherent Thermal Protection</p>   |   | <p>TYPE HL APPROVED - SUITABLE FOR AIR HANDLING SPACES<br/>         APPROVED FOR LAMP COMBINATIONS OF 328 MAX. WATTS OF FT55W, CFO15W, CFO26W, FQD, 2D, CFTR18W, CFTR32W, T5-CR, T9-CR, LINEAR T5 &amp; T5HO, T6, T8, T9HO, T10, T12 &amp; T12HO. T12SL LAMPS WHEN USED PER WIRING SPECS<br/>         For use only with a compact circular lamp U-bend or a similar lamp that would employ a lampholder arrangement that disconnects all lamp contacts simultaneously. Visit <a href="http://ultraviolet.com/wiringdiagram/">ultraviolet.com/wiringdiagram/</a> for instructions and wiring-diagram.</p> |   |
| <p>RoHS COMPLIANT</p>  |   | <p>UL US #E191525 FLUORESCENT LAMP BALLAST 34EF</p>  |   |

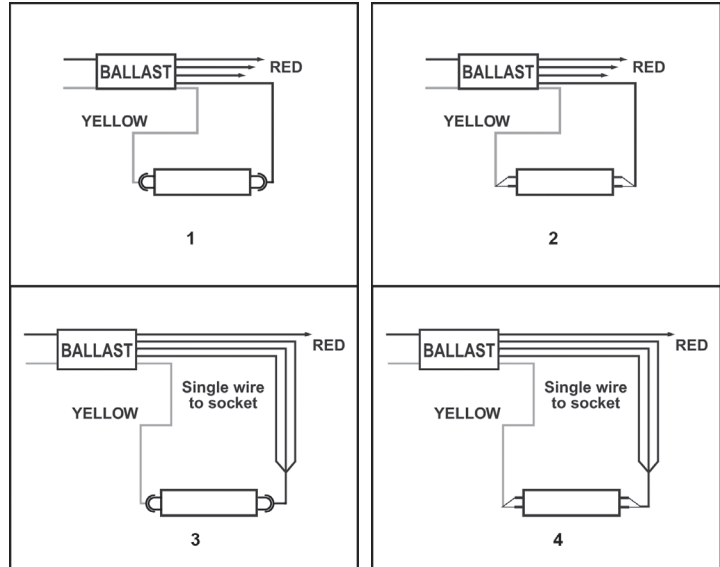
The information and recommendations contained in this publication are based upon data collected by the Atlantic Ultraviolet Corporation® and are believed to be correct. However, no guarantee or warranty of any kind, expressed or implied, is made with respect to the information contained herein. Specifications and information are subject to change without notice.

**Lamp Types**

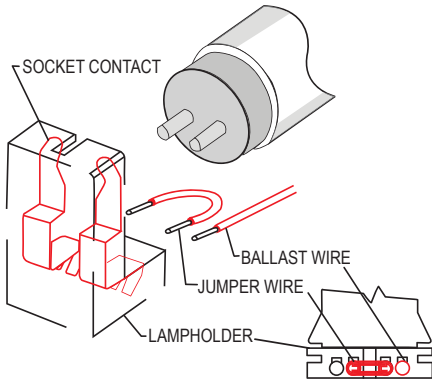
| Lamp Types   | Wiring Diagram |
|--|----------------|
| <b>MIGHTY★PURE®</b> MP49C Lamp<br>Part No. 05-1334-R | <b>1</b>       |
| <b>SANITRON®</b> S50C Lamp<br>Part No 05-1334-R      | <b>1</b>       |
| G12T5–G64T5  | <b>1</b>       |
| GPH212T5–GPH1554T5                                   | <b>2</b>       |
| GHO18T5–GHO48T5                                      | <b>3</b>       |
| GPH436T5/HO–GPH1148T5/HO                             | <b>4</b>       |

This ballast may be acceptable for use with lamps not listed here. Contact us to discuss your requirement.

**Wiring Diagrams**



**NOTE: For 4-Pin Single Ended Lamps, See Wiring Diagram Below.**

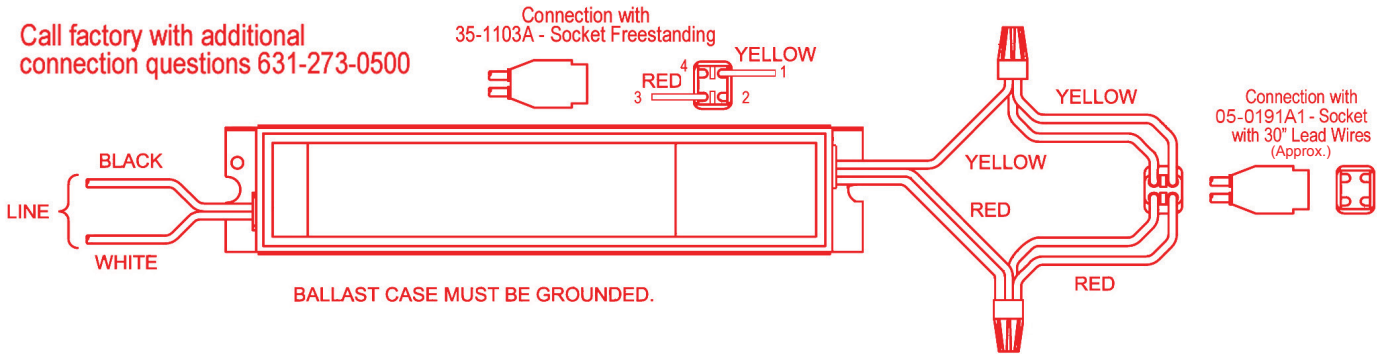


**Wiring Jumper Detail**

For Miniature Bipin and Medium Bipin Lamps, add jumper between socket contacts, of the lampholder, before connecting the RED and YELLOW wires.

**Connections**

**4-Pin Wiring Diagram (Single Ended)**



**Typical Instant Start Ballast Connections for Preheat Lamps**

The information and recommendations contained in this publication are based upon data collected by the Atlantic Ultraviolet Corporation® and are believed to be correct. However, no guarantee or warranty of any kind, expressed or implied, is made with respect to the information contained herein. Specifications and information are subject to change without notice.