



Specifications

Model Number:	10-0513A	
Input Voltage:	230v AC	
Frequency:	50/60 Hz.	
Designed For:	10 to 40 Watt 4-Pin Lamps (with ring terminal for grounding)	
Certifications:	CE / UL #E191525	
Size:	4.92" x 2.4" x 1.38" (125 x 60 x 35 mm)	
Weight:	10 oz. (0.3 kg)	
Mounting:	Slotted Mounting Tabs	
Special Features:	Green & Red LED; Alarm - sounds if lamp not working.	

Lamp-out Protection


If power is applied to the ballast without a lamp connected to the circuit or if the lamp fails, the ballast's lamp-out protection will prevent the ballast from operating, and a red LED light will illuminate and audio alarm will sound. **To reset:** Disconnect the ballast from power and reconnect or replace the lamp. **The ballast must remain disconnected from power for (2) minutes to reset.** After 2 minutes restore input power, ballast should resume proper operation.



WARNING: The equipment that this ballast is used with requires connection to a known good ground. It is the User's responsibility to ensure that their equipment is properly grounded in compliance with the National Electrical Code and any applicable local codes. Equipment wiring and hook up should be performed by a qualified, licensed electrician. Failure to comply with this requirement could result in serious injury or death.

Grounding Kits are available. Please contact the factory with any questions.



10-0513A  UL #E191525

Electronic Ballast for T5L/4 lamps


Lamps GPH212 thru GPH843

INPUT VOLTAGE	INPUT CURRENT	LAMP POWER	LAMP CURRENT
230v 50/60Hz	0.06A-0.2 A	10-40W	425mA Approx.

Green and Red LED Indicate Status.
Alarm Sounds if the Lamp is Not Working.

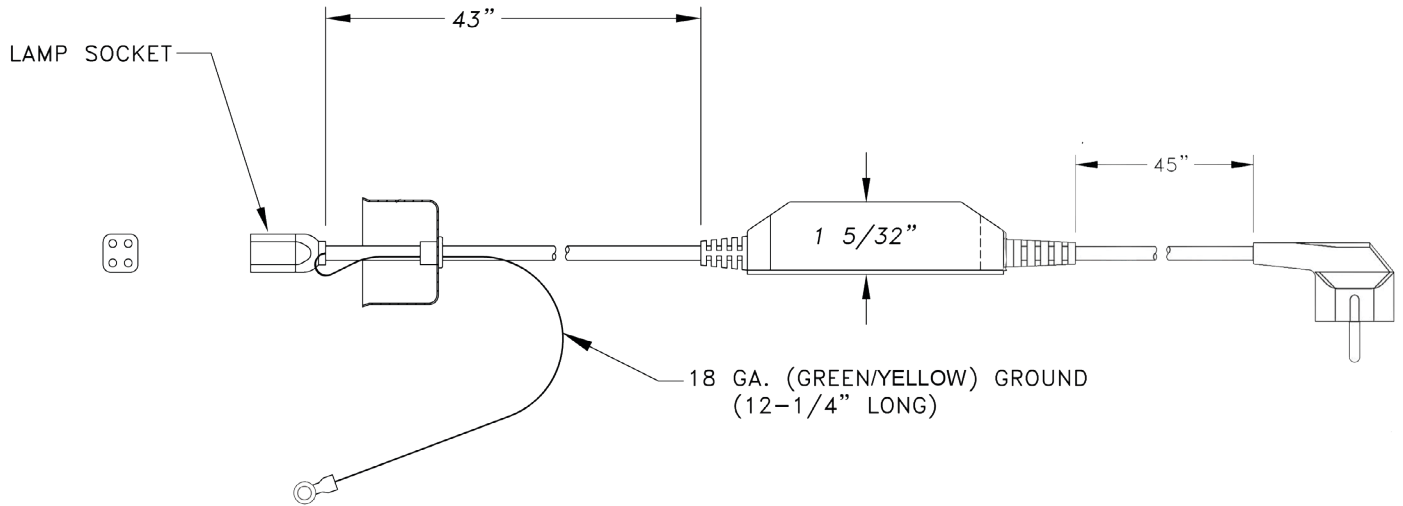
0719

Hauppauge, NY • USA
Sales@AtlanticUV.com
631.273.0500
Ultraviolet.com • BuyUltraviolet.com



The information and recommendations contained in this publication are based upon data collected by the Atlantic Ultraviolet Corporation® and are believed to be correct. However, no guarantee or warranty of any kind, expressed or implied, is made with respect to the information contained herein. Specifications and information are subject to change without notice.

Connections



The information and recommendations contained in this publication are based upon data collected by the Atlantic Ultraviolet Corporation® and are believed to be correct. However, no guarantee or warranty of any kind, expressed or implied, is made with respect to the information contained herein. Specifications and information are subject to change without notice.